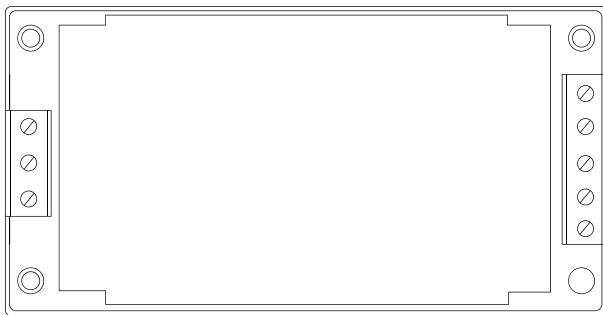


A

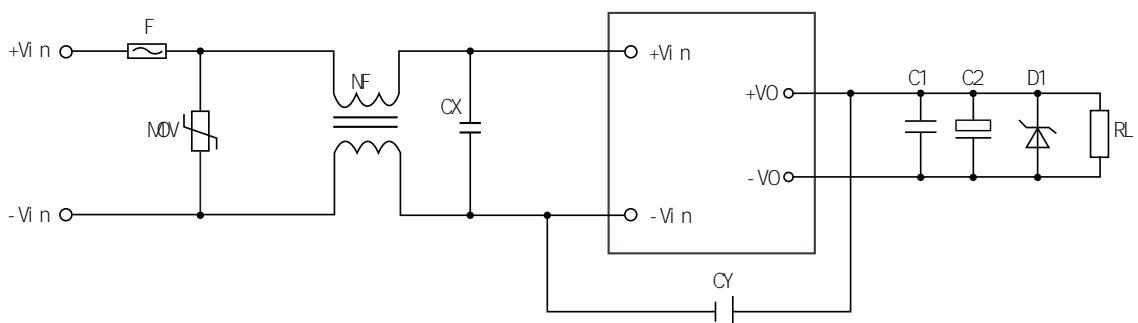


D

mm [inch]

$\pm 0.10 [\pm 0.004]$

$\pm 0.5\text{mm}$



F

MOV

NF