



200-1500VDC

89*63*25mm

0.6W

/ / /

-40 to +70

3kV

100%

3

DP40-900SXX

200-1500VDC

DC-DC

(ESS)

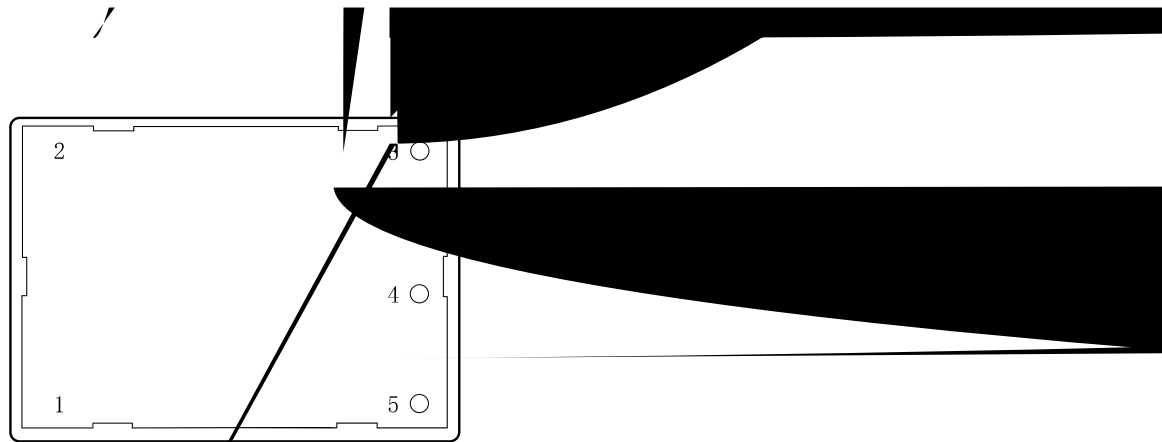


<u>DP</u>	<u>40</u>	-	<u>900</u>	<u>S</u>	<u>24</u>	<u>A/D</u>	1. DP	DC/DC
							2. 40	
							3. 900	200-1500VDC
							4. S	Single()
1	2		3	4	5	6	5. 24	
							6. A	A D D



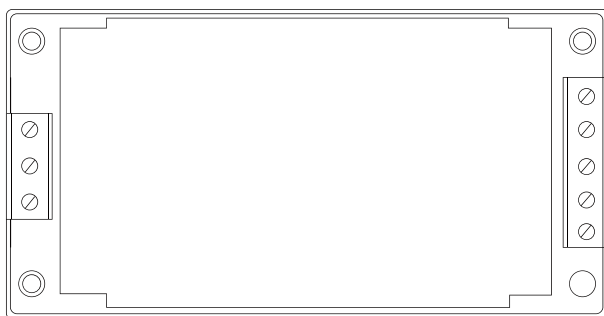
(W) (V) (A) & (mVp-p)

	$\pm 1.0\% \pm 2.0\%_{\max}$
	$\pm 1.0\%$
	$\pm 1.0\%$



- 1
- 2
- 3
- 4
- 5

A

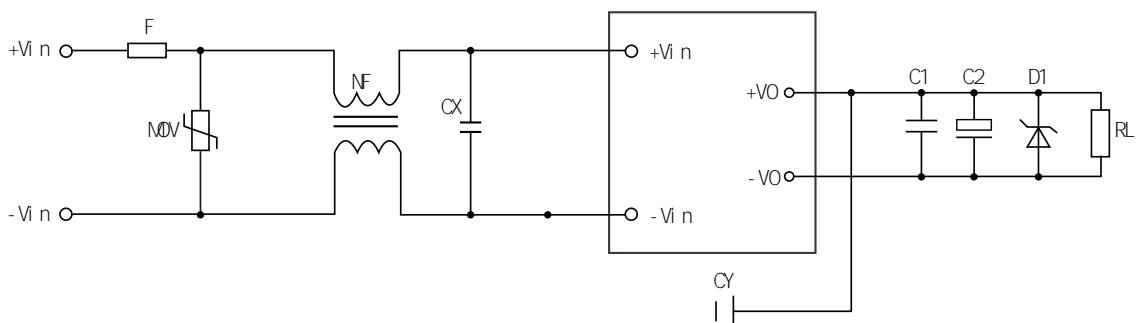


D

mm [inch]

$\pm 0.10 [\pm 0.004]$

$\pm 0.5\text{mm}$



	F	MOV	NF	CX	CY	C1	C2	D1
DP40-900S12	4A/1500V	20D162K	1-10mH	224K/2KV	222K/2KV	104K/50V ()	100uF-1000uF/16V	P6KE16A
100uF-1000uF/25V							P6KE20A	
100uF-1000uF/35V							P6KE33A	



sal es@zoeygo. net



+86(20) 3214 4470



51 E