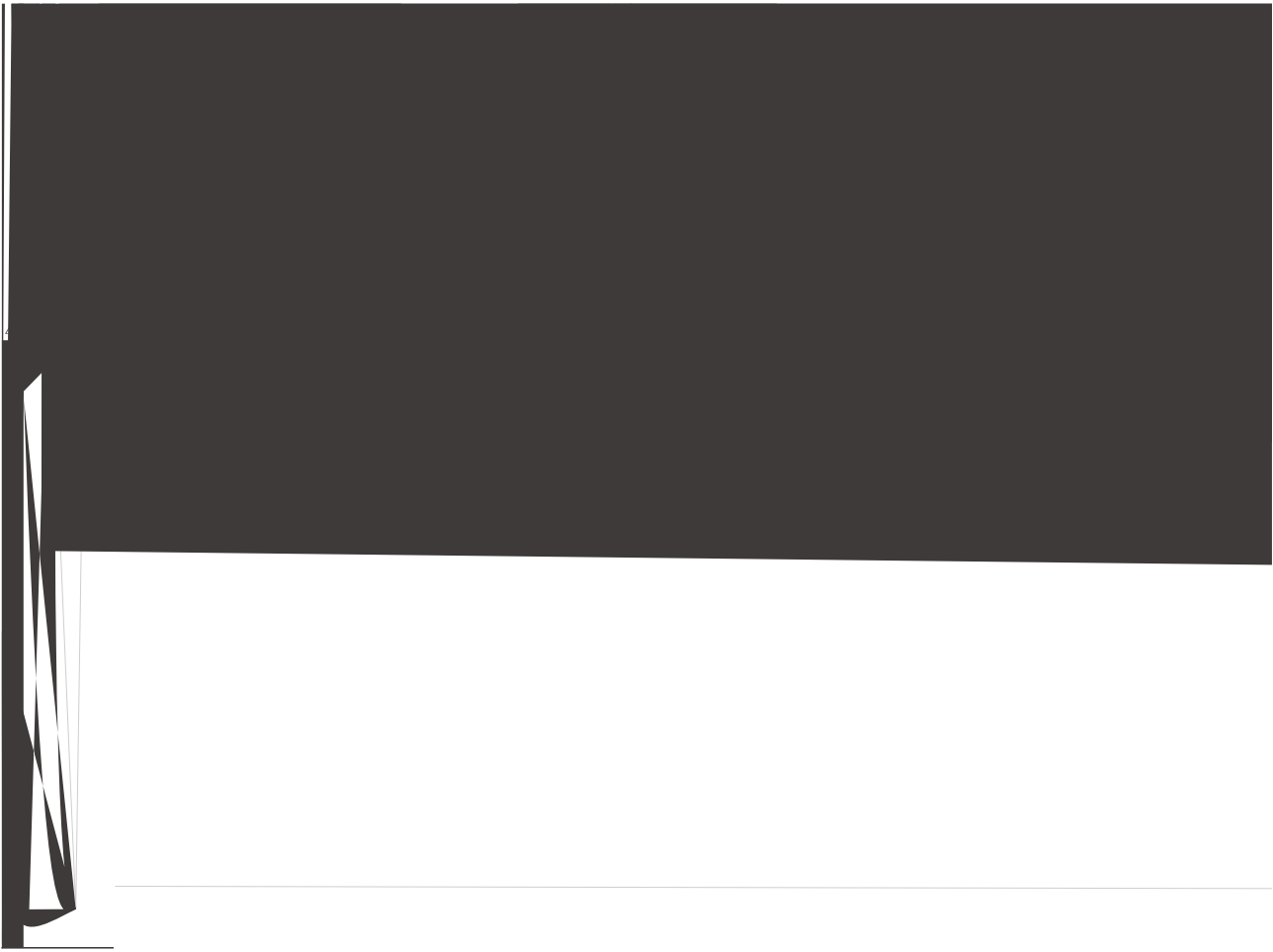




|  |         |                           |        |
|--|---------|---------------------------|--------|
|  |         | ± 2.0%                    | ± 6.0% |
|  |         | ± 1.0%                    | ± 5.0% |
|  |         | ± 1.0%                    | ± 5.0% |
|  | ( )     | 40ms/230VAC 100ms/140VAC  |        |
|  | ( )     | 40ms/230VAC 15ms/140VAC   |        |
|  | & ( ) 2 | 150mV                     |        |
|  |         | 140-310VAC 197-430VDC     |        |
|  |         | 47-440Hz                  |        |
|  | ( )     | 0.21A/140VAC 0.12A/230VAC |        |
|  | ( )     | 20A/140VAC 40A/230VAC     |        |
|  |         | T1A/250V                  |        |
|  | ( )     | 1mA/230VAC/50Hz           |        |
|  |         | 110% load                 |        |
|  | 4       | 5VDC                      | 7.5VDC |
|  |         | 12VDC                     | 16VDC  |
|  |         | -40 to +85 ( " " )        |        |
|  |         | 95%RH max                 |        |
|  |         | -40 to +85 10-95%RH       |        |
|  |         | 0.03% (0-50 )             |        |

10-500Hz 2G 10min./1cycle 60min. each along X Y Z axes

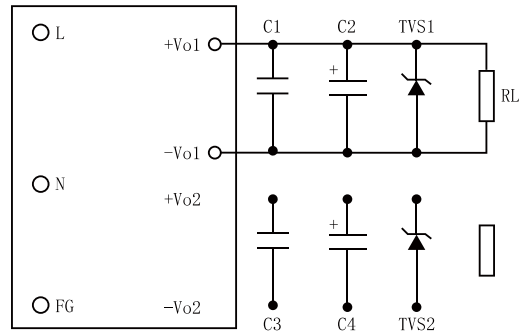


mm [inch]

$\pm 0.10$  [ $\pm 0.004$ ]

$\pm 0.5$ mm





1. EMC EMC FP01 FP02 FP01 FP02
2. FP01 FP02 FP01 FP02

|              | FUSE     | NTC   | MOV     | C1/C3     | C2(μF) | C4(μF) | TVS1     | TVS2     |
|--------------|----------|-------|---------|-----------|--------|--------|----------|----------|
| SP10-D0505R2 | T1A/250V | 10D-9 | 14D471K | 0.1μF/50V | 220    | 100    | P6KE7.5A | P6KE7.5A |
| SP10-D0509R2 |          |       |         |           |        |        | P6KE7.5A | P6KE15A  |
| SP10-D1212R2 |          |       |         |           |        |        | P6KE16A  | P6KE16A  |
| SP10-D0512R2 |          |       |         |           |        |        | P6KE7.5A | P6KE16A  |
| SP10-D0524R2 |          |       |         |           |        |        | P6KE7.5A | P6KE30A  |



✉ sal es@zoeogo.net

☎ +86(20) 3214 4470



51 E